



A new addition to the Jiffy Modular Installation System

Sales@jiffyairtool.com
Phone : 1 775 883 1072
Fax : 1 775 883 4857

Makita Torque Controlled Cordless Motor 9.6V 280 RPM
Shown with 16524 Jiffy JMI Adapter and 14251 straight install attachment

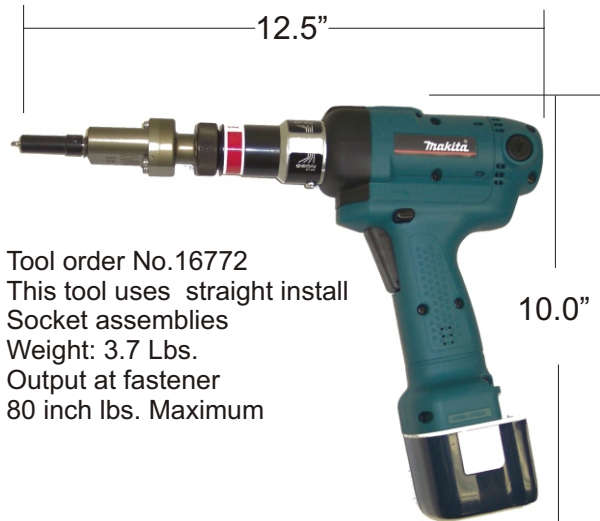
Used for Torque Control or HI-Lok fasteners this cordless tool is capable of installing dash 6 fasteners with our 14251 straight attachment and a selection of L type attachments.

In our tests the BH9020A NiMH battery delivered 130 to 150 installations at 70 Inch lbs.

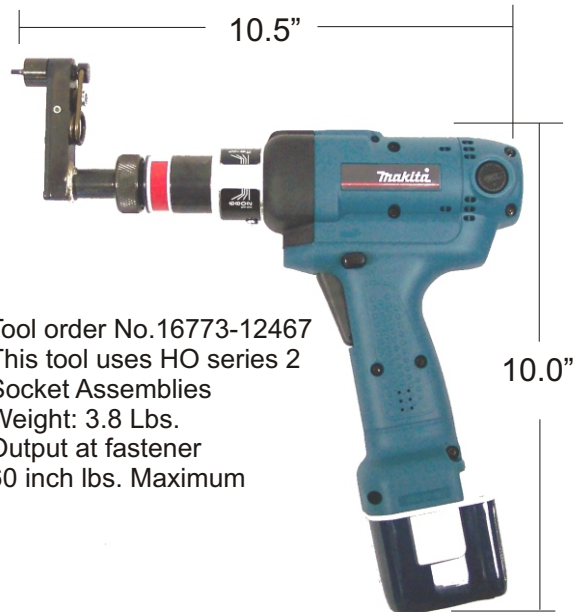
The NiMH battery doesn't get a plateau like NiCad batteries so there is no need to run it completely down before being recharged.

A refreshing adapter that fits on the battery charger is available to Cycle the battery for optimal charge after months of use.

DC14SA 14.4 Battery Charger
Sold separately



Tool order No.16772
This tool uses straight install Socket assemblies
Weight: 3.7 Lbs.
Output at fastener
80 inch lbs. Maximum



Tool order No.16773-12467
This tool uses HO series 2 Socket Assemblies
Weight: 3.8 Lbs.
Output at fastener
60 inch lbs. Maximum

BH9020A NIMH Battery
Sold separately

