

750 TAB SHEAR



You can efficiently shear router tabs from aluminum, steel, titanium and stainless steels or perform similar shearing and trimming operations with this lightweight, powerful tool.

Made from 356 T6 aluminum and heat treated precision ground tool steel for the demanding use of the Aerospace industry.

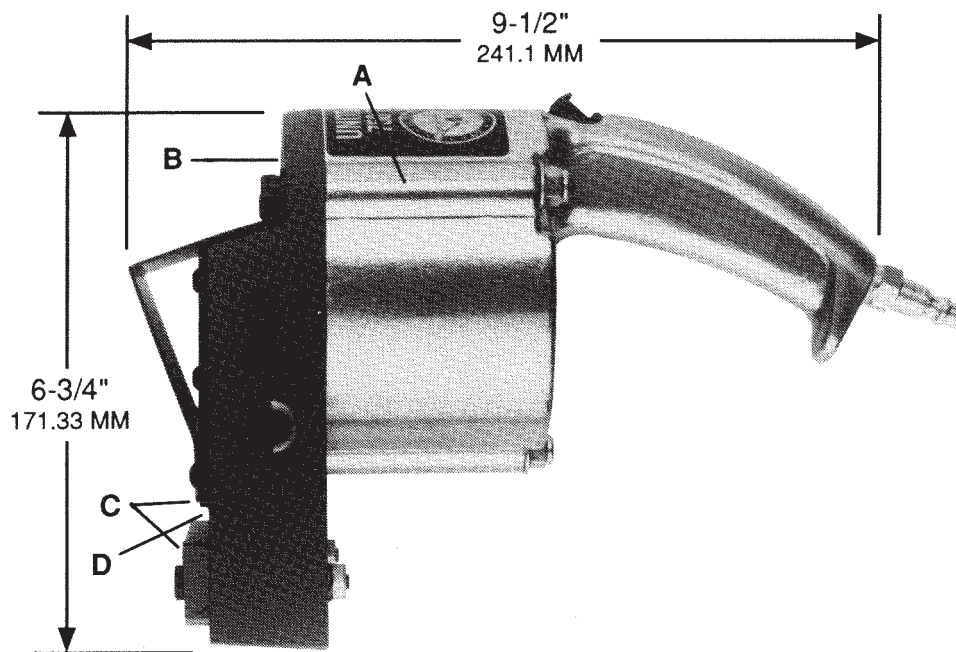
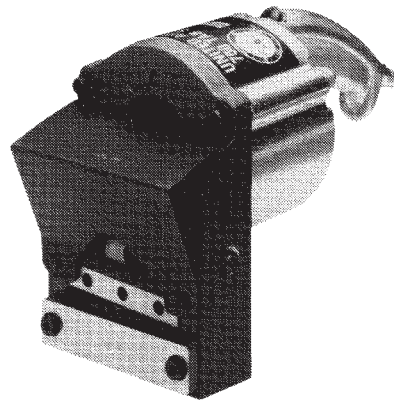
Shearing Capacity: Aluminum 1/8" 3.17mm
Steel 1/16" 1.57mm

Maximum Throat Opening: 1/8" x 3"
3.17 x 76.2mm

Shearing Force: 4200 lbs. 1909 Kilos

Weight: 7 lbs. 3.18 Kilos

Air Inlet Thread Size: 1/4" NPT



A: Full Length Bosses With Bolts and Self Locking Nuts That Will Not Loosen or Pull Out.

B: Hard Anodized Aluminum Frame That is Twice as Strong as The Competition in this Critical Area.

C: Tool Steel Shear Blades May Be Resharpended or Rotated to a New Edge.
Two Edges, Top Blade
Four Edges, Bottom Blade

D: Large Carbide Wear Faces Protect Frame.